

Meaningful Innovation.

INSTRUCTION MANUAL

LED SOLAR STRING LIGHT



IP44
RATING

TECHNICAL DATA

MODEL	VT-715S	COLOR	3000K
SKU	23034	TEMPERATURE	
LUMENS	50 Lm	BEAM ANGLE	300°
LENGTH	15.6 M	BATTERY VOLTAGE	3.7V
BULB TYPE	ST64 [Bulb Included]	BATTERY CAPACITY	1200 mAhx2
NO. OF BULBS	15	BATTERY TYPE	Lithium

INTRODUCTION & WARRANTY

Thank you for selecting and buying product. will serve you the best. Please read these instructions carefully before starting the installation and keep this manual handy for future reference. If you have any another query, please contact our dealer or local vendor from whom you have purchased the product. They are trained and ready to serve you at the best. The warranty is valid for 2 years from the date of purchase. The warranty does not apply to damage caused by incorrect installation or abnormal wear and tear. The company gives no warranty against damage to any surface due to incorrect removal and installation of the product. The products are suitable for 10-12 Hours Daily operation. Usage of product for 24 Hours a day would void the warranty. This product is warranted for manufacturing defects only.



MULTI-LANGUAGE MANUAL QR CODE

Please scan the QR code to access the manual in multiple languages.

INSTRUCTIONS FOR THE LIGHT

- Non-replaceable lights.
- This light's components are not replaceable; if any part of the light is damaged, the light must be discarded.
- Battery cannot be replaced, changing the battery will damage the item.
- Keep the product away from fire or any other heat source.
- Keep the packaging out of reach of children.
- For the first time use or not under use for long time, please charge the product under sunlight for 1 day before installation.
- The battery must be removed from the luminaire before it is scrapped.
- Battery performance may be temporarily affected by very low outdoor temperature. Output light (brightness and lighting time) may decrease when outdoor temperature drop below 5°

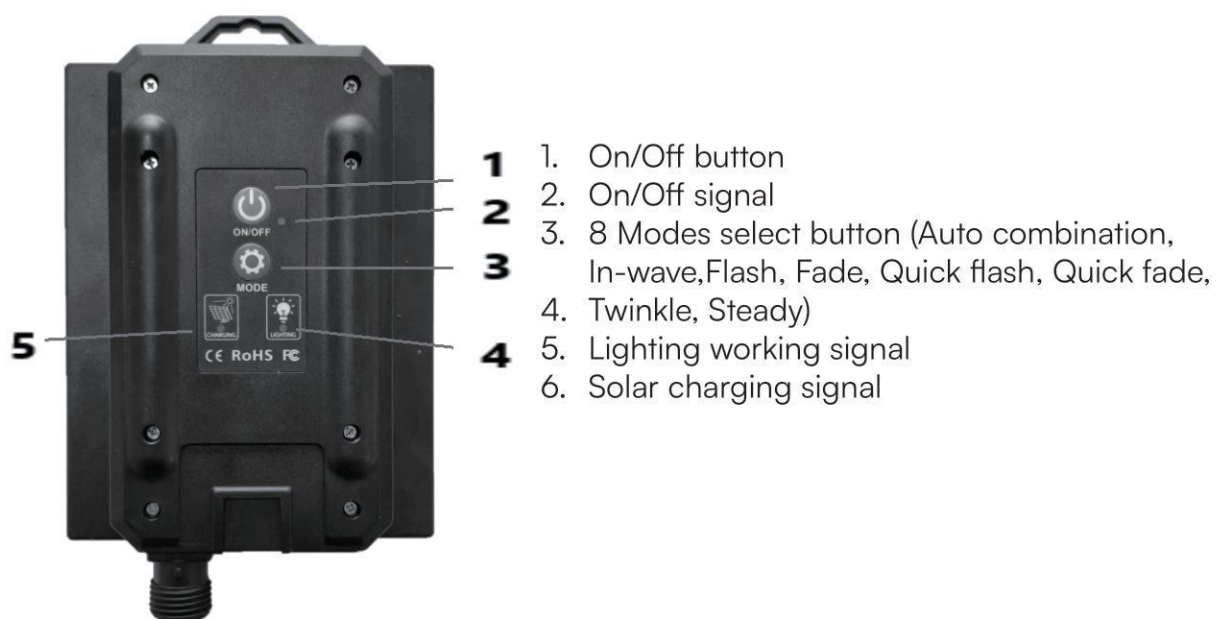


This marking indicates that this product should not be disposed of with other household wastes.

RECOMMENDATIONS FOR OPTIMAL PERFORMANCE

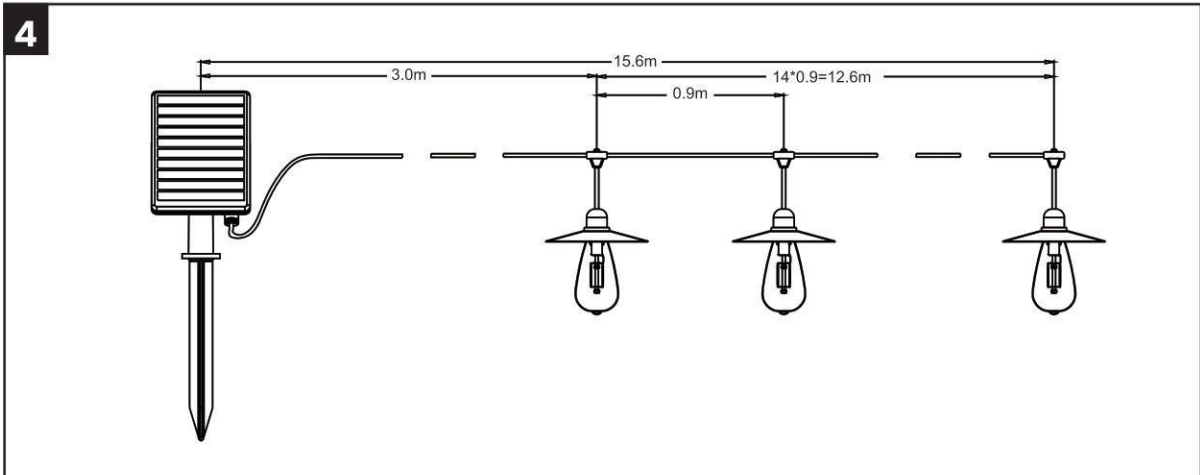
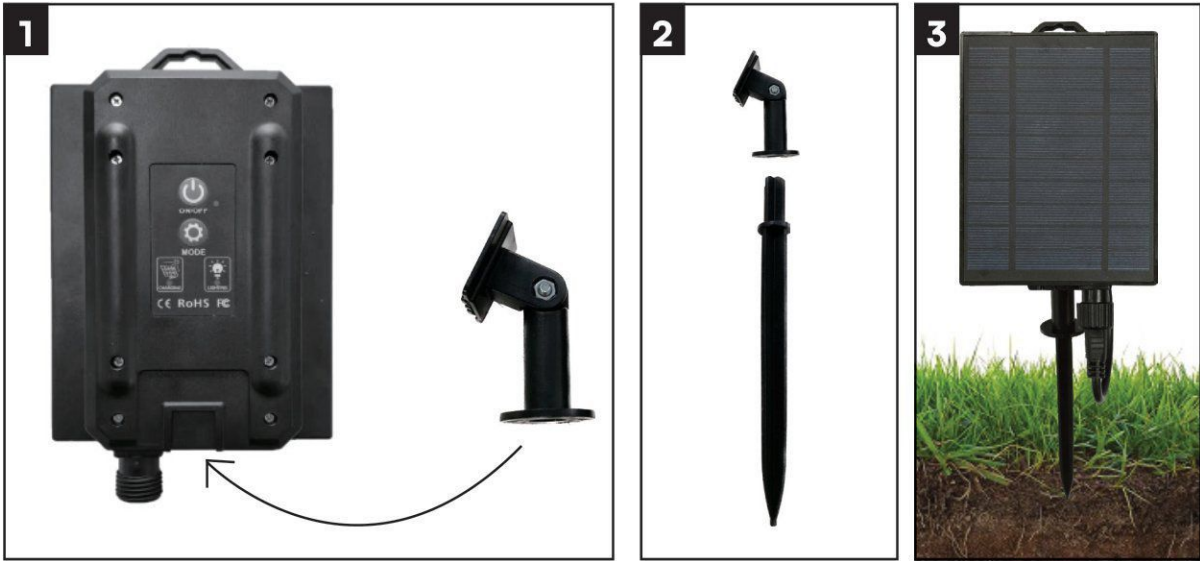
- Keep clean solar panel surface. Make sure panel is clear from dust or dirt material.
- Make sure panel is under direct sun light. Shade from trees or other shading objects affect a lot solar panel efficiency. You may change location of product to improve performance.
- During winter, sun luminosity might be insufficient on some days due to short day time and bad weather. You might switch off the light at night and allow the product to charge more than 2 days. When charging, the switch needs to be kept in the "On" position.

CONTROLLER INSTRUCTION



TWO TYPE INSTALLATION

1. SPIKE INSTALLATION



2. HANGING INSTALLATION

